



6  
3  
E

SLIDING SYSTEM  
WITH THERMAL BREAK

*ETEM*

---

## SUITABLE FOR OPPOSED AND IN-WALL DOORS AND WINDOWS WITH HIGH REQUIREMENTS FOR THERMAL INSULATION, FUNCTIONALITY AND AESTHETICS

---



### FEATURES

---

Elegant straight design

---

Excellent water tightness and air permeability

---

High thermal insulation -  $U_w = 2.1 \text{ W/m}^2\text{K}$

---

Big variety of sashes

---

Glazing sash with 36 mm width allowing glass panel up to 24 mm

---

Narrow triple rail with 98 mm width

---

Ability of conventional & lift and slide function

---

Low height sashes suitable for renovation of old type aluminium windows typologies

# E36

SLIDING SYSTEM  
WITH THERMAL BREAK

## DESIGN

IDEAL FOR RENOVATION PROJECTS

DESIGNED WITH BLUNT CORNERS

RAILS ARE DESIGNED FOR 90° CONNECTION,  
BUT ALSO FOR MITER JOINT CONNECTION

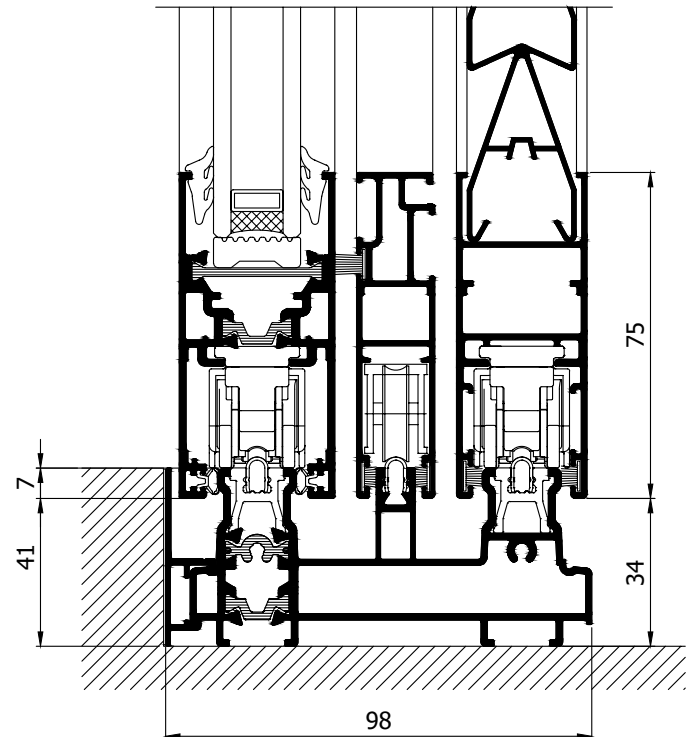
LINEAR EXTERIOR SURFACE WITHOUT  
VISIBLE JOINTS

## DETAILS

Same profiles can be used both for conventional & lift and slide typologies

The double rail can be easily extended, with supplementary rail profile

Special accessories and profiles available, so that a sash frame to be fixed when required



[etem.com](http://etem.com)